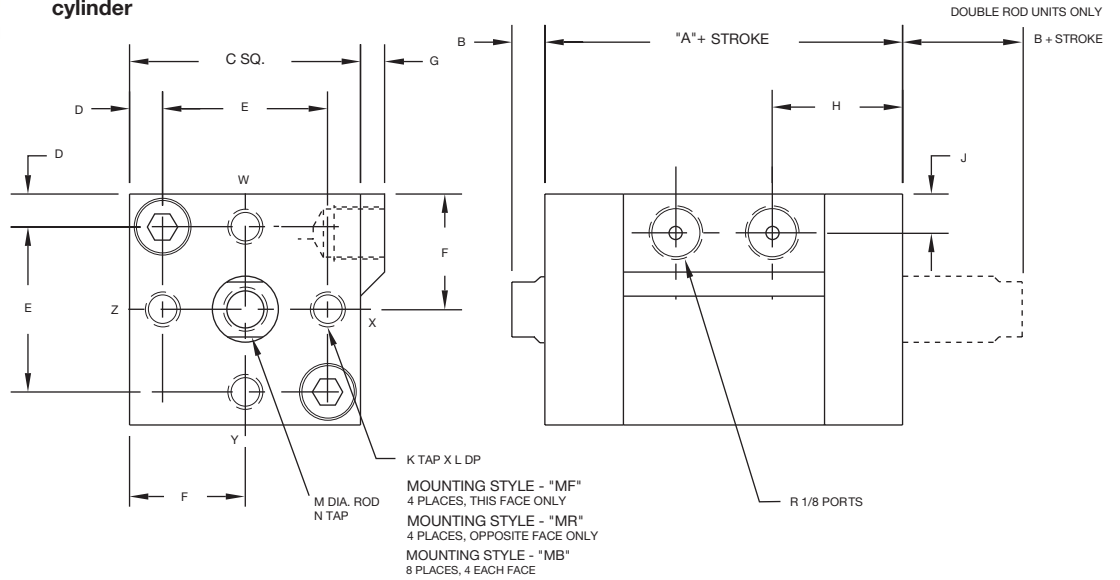




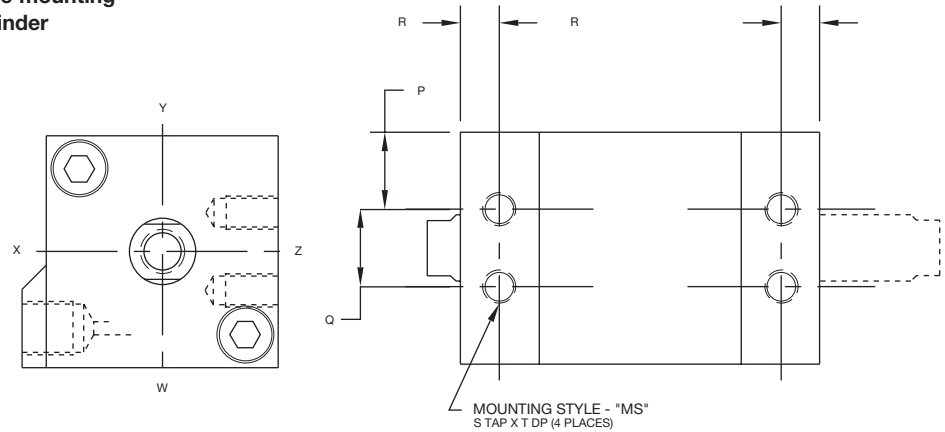
Face mounting cylinder



EM (Inch Threads) option

- M4X0,7 = #8 - 32
- M5X0,8 = #10 - 32
- M6X1,0 = 1/4 - 20
- M8X1,25 = 5/16 - 18
- M10X1,5 = 3/8 - 24
- G1/8 = 1/8 - 27 NPTF

Side mounting cylinder



Bore	A	B	C	D	E	F	G	H	J	K	L	M	N	P	Q	R	S	T
20	47 (1.85")	5 (.20")	31,8 (1.25")	4 (.16")	23,8 (.94")	15,9 (.63")	0	18,5 (.73")	6,4 (.25")	M4X0,7	8 (.31")	8 (.31")	M5X0,8	11,6 (.46")	8,5 (.33")	4,8 (.19")	M4X0,7	6 (.24")
25	53 (2.09")		35 (1.38")	5 (.20")	25 (.98")	17,5 (.69")		21 (.83")		M5X0,8	10 (.39")	10 (.39")	M6X1,0	12,5 (.49")	10 (.39")	6 (.24")	M5X0,8	7,5 (.30")
32	60 (2.36")	6 (.24")	42 (1.65")	6 (.24")	30 (1.18")	21 (.83")	4,4 (.17")	23,7 (.93")	7,1 (.28")	M6X1,0	12 (.47")	12 (.47")	M8X1,25	14 (.55")	14 (.55")	7 (.28")	M6X1,0	9 (.35")
40	76,5 (3.01")		50 (1.97")		38 (1.50")	25 (.98")	3,6 (.14")	31,3 (1.23")	8,7 (.34")		15 (.59")	16 (.63")	M10X1,5	15 (.59")	20 (.79")	10 (.39")	M8X1,25	12 (.47")