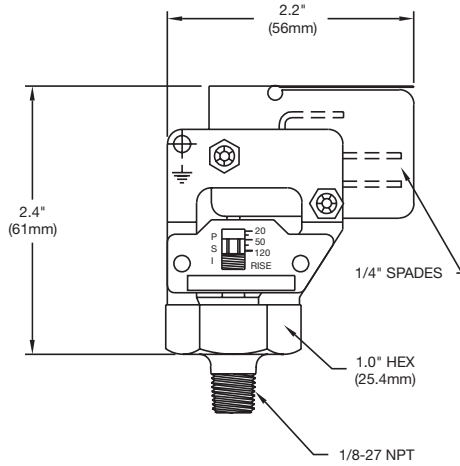




Features

- Long life elastomer diaphragm
- High quality snap action switch
- Finger tip adjustment
- Visual calibration
- Economical
- Quick delivery

Dimensions



Operating Specifications

Set Point Range	2 – 120 PSI	(.14 – 8.3 Bar)
Set Point Tolerance	±1 PSI or 5%	(.07 Bar)
Maximum Operating Pressure	250 PSI	(17 Bar)
Proof Pressure	750 PSI	(51 Bar)
Differential	10 – 20%	
Current Rating	10 A @ 125/250 VAC	
	5 A @ 30 VDC	
Media Connection	1/8" NPT Male Brass	
Circuit Form	SPDT	
Electrical Connection	1/4" Blades	
Diaphragm Material	Buna N	
Cycle Life	1 Million	

In-Stock Low Pressure Switches



Model	Adjustment Range
SQ-1	2 – 10 PSI



Model	Adjustment Range
SQ-2	6 – 30 PSI



Model	Adjustment Range
SQ-3	20 – 120 PSI