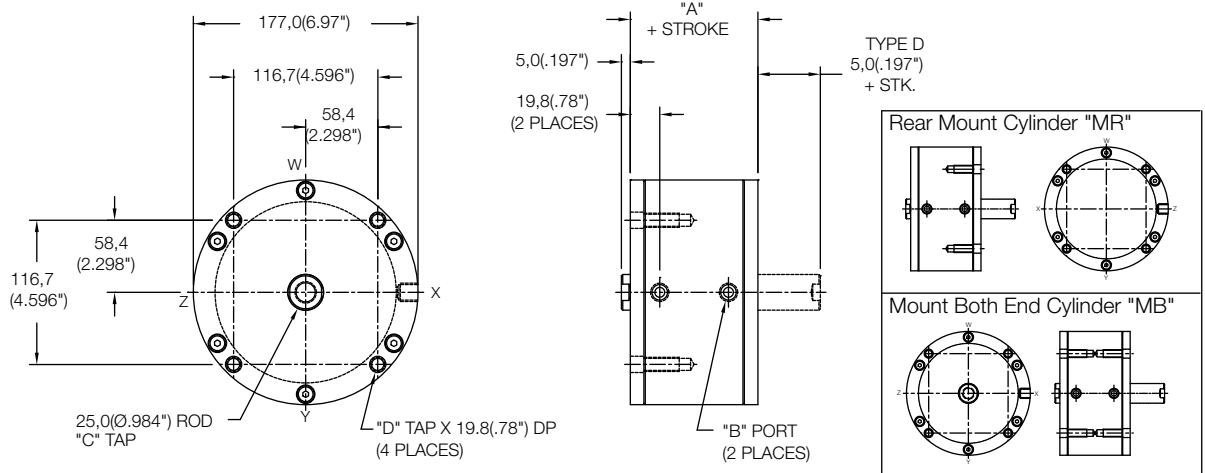


Non Magnetic Front Mount Cylinder "MF"

MODEL	TYPE	STANDARD STROKES	"A"	PISTON AREA
LS	_D	10mm - 100mm	51,0(2.00")	PUSH 181,46 cm ² (28.2 in ²) PULL 176,55 cm ² (27.45 in ²)

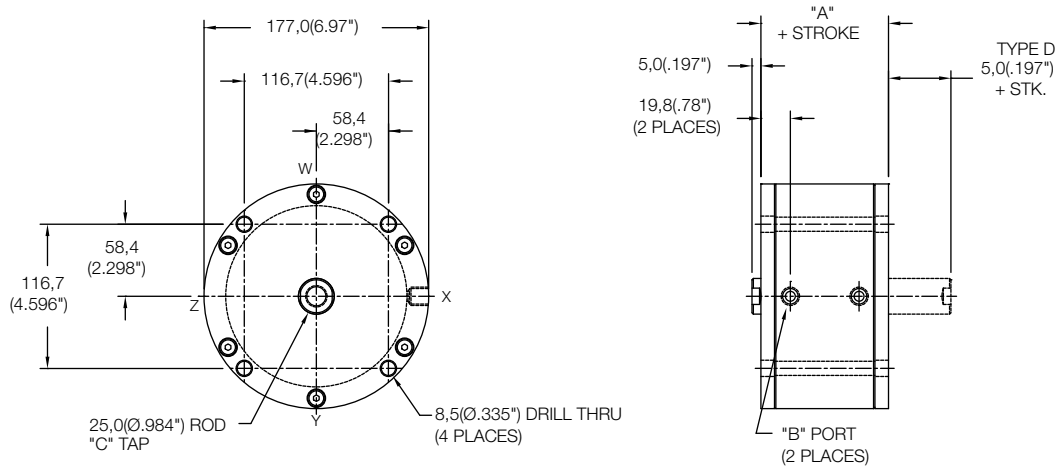
	Standard Threads	"EM" Option
"B"	G1/8 PORT	1/8-27
"C"	M16X2,0	5/8-18
"D"	M8X1,25	5/16-18



Non Magnetic Thru Mount Cylinder "MT"

MODEL	TYPE	STANDARD STROKES	"A"	PISTON AREA
LS	_D	10mm - 40mm	51,0(2.00")	PUSH 181,46 cm ² (28.2 in ²) PULL 176,55 cm ² (27.45 in ²)

	Standard Threads	"EM" Option
"B"	G1/8 PORT	1/8-27
"C"	M16X2,0	5/8-18

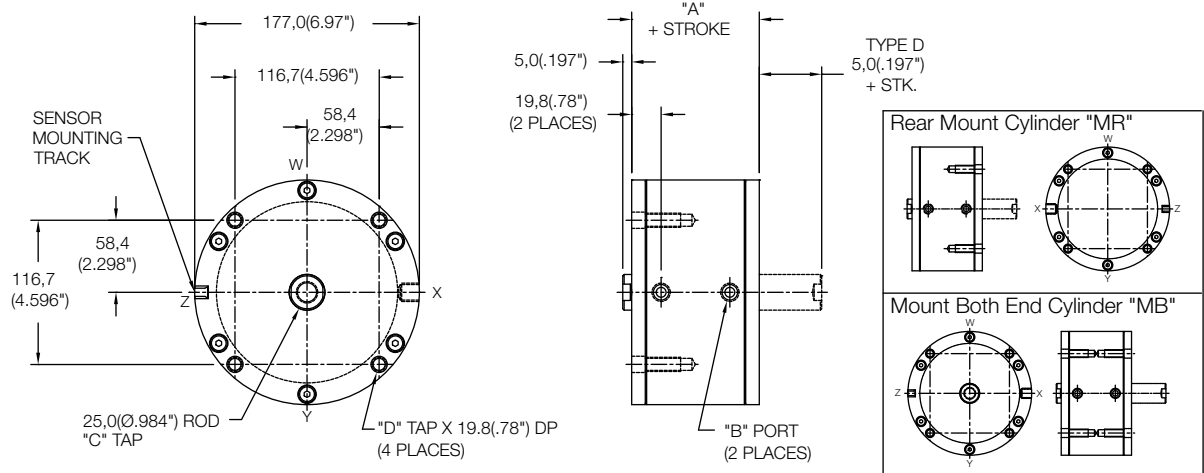


<div style="border: 1px solid black; width: 20px; height: 20px; margin: 0 auto;"></div> <p>MODEL</p> <p>LS LE LH</p>	-	<div style="border: 1px solid black; width: 30px; height: 20px; display: inline-block; text-align: center; vertical-align: middle;">152</div> <p>BORE</p>	X	<div style="border: 1px solid black; width: 20px; height: 20px; margin: 0 auto;"></div> <p>STROKE</p> <p>10mm - 100mm STROKE (SEE STROKE RANGE)</p>	-	<div style="border: 1px solid black; width: 20px; height: 20px; margin: 0 auto;"></div> <p>TYPE</p> <p>BLANK - NO CODE, DOUBLE ACTING, SINGLE ROD D - DOUBLE ACTING, DOUBLE ROD</p>	-	<div style="border: 1px solid black; width: 20px; height: 20px; margin: 0 auto;"></div> <p>MOUNTING</p> <p>MT - THRU MOUNT MF - FRONT MOUNT MR - REAR MOUNT MB - BOTH END MOUNTS FF - FRONT FLANGE FR - REAR FLANGE (FOR FLANGES SEE PAGE 58)</p>	-	<div style="border: 1px solid black; width: 20px; height: 20px; margin: 0 auto;"></div> <p>OPTIONS</p> <p>EM - INCH THREADS & PORT OPTIONS</p> <p>HS - HIGH TEMPERATURE SEALS OPTION: AVAILABLE ON LE AND LH MODELS ONLY (SEE PAGE 62)</p> <p>PE - PORT ENLARGEMENT (AVAILABLE W/ "EM" OPTION ONLY = 1/4-18 NPT PORTS)</p> <p>RE - ROD EYE (SEE PAGE 61)</p> <p>RS - MALE STUD FOR ROD END (SEE PAGE 61)</p> <p>RF, RH, RN, RT, RV, RY - ROD EXTENSIONS (SEE PAGE 61)</p>
--	---	---	---	---	---	---	---	---	---	---

Magnetic Front Mount Cylinder "MF"

MODEL	TYPE	STANDARD STROKES	"A"	PISTON AREA
LS	_,D	10mm - 100mm	61,0(2.40")	PUSH 181,46 cm ² (28.2 in ²) PULL 176,55 cm ² (27.45 in ²)

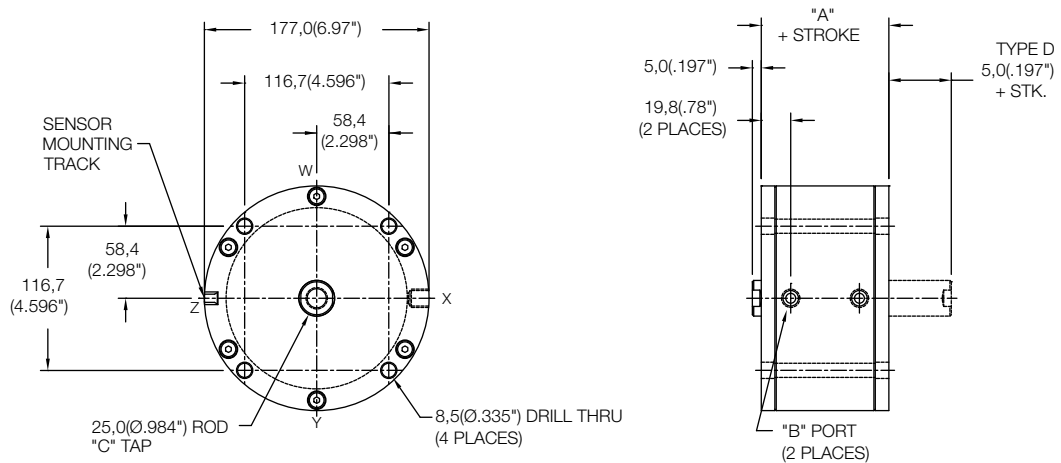
	Standard Threads	"EM" Option
"B"	G1/8 PORT	1/8-27
"C"	M16X2,0	5/8-18
"D"	M8X1,25	5/16-18



Magnetic Thru Mount Cylinder "MT"

MODEL	TYPE	STANDARD STROKES	"A"	PISTON AREA
LS	_,D	10mm - 30mm	61,0(2.40")	PUSH 181,46 cm ² (28.2 in ²) PULL 176,55 cm ² (27.45 in ²)

	Standard Threads	"EM" Option
"B"	G1/8 PORT	1/8-27
"C"	M16X2,0	5/8-18



<table border="0"> <tr> <td>MODEL</td> <td>-</td> <td>152</td> <td>X</td> <td>STROKE</td> <td></td> <td>TYPE</td> <td></td> <td>MOUNTING</td> <td></td> <td>MAGNETIC</td> <td>-</td> <td>OPTIONS</td> </tr> <tr> <td>LS LE LH</td> <td></td> <td></td> <td></td> <td>10mm - 100mm STROKE (SEE STROKE RANGE)</td> <td></td> <td>BLANK - NO CODE, DOUBLE ACTING, SINGLE ROD D - DOUBLE ACTING, DOUBLE ROD</td> <td></td> <td>MT - THRU MOUNT MF - FRONT MOUNT MR - REAR MOUNT MB - BOTH END MOUNTS FF - FRONT FLANGE FR - REAR FLANGE (FOR FLANGES SEE PAGE 58)</td> <td></td> <td>M</td> <td></td> <td> <table border="1"> <tr> <td colspan="3">SENSORS SOLD SEPERATELY SKS, SKP, SCS, SCP - SOLID STATE LIMIT SENSORS (SEE PAGE 54)</td> </tr> <tr> <td>EM - INCH THREADS & PORT OPTIONS</td> <td>HS - HIGH TEMPERATURE SEALS OPTION: AVAILABLE ON LE AND LH MODELS ONLY (SEE PAGE 62)</td> <td>PE - PORT ENLARGEMENT (AVAILABLE W/ "EM" OPTION ONLY = 1/4-18 NPT PORTS)</td> </tr> <tr> <td>RE - ROD EYE (SEE PAGE 61)</td> <td>RS - MALE STUD FOR ROD END (SEE PAGE 61)</td> <td>RF, RH, RN, RT, RV, RY - ROD EXTENSIONS (SEE PAGE 61)</td> </tr> </table> </td> </tr> </table>	MODEL	-	152	X	STROKE		TYPE		MOUNTING		MAGNETIC	-	OPTIONS	LS LE LH				10mm - 100mm STROKE (SEE STROKE RANGE)		BLANK - NO CODE, DOUBLE ACTING, SINGLE ROD D - DOUBLE ACTING, DOUBLE ROD		MT - THRU MOUNT MF - FRONT MOUNT MR - REAR MOUNT MB - BOTH END MOUNTS FF - FRONT FLANGE FR - REAR FLANGE (FOR FLANGES SEE PAGE 58)		M		<table border="1"> <tr> <td colspan="3">SENSORS SOLD SEPERATELY SKS, SKP, SCS, SCP - SOLID STATE LIMIT SENSORS (SEE PAGE 54)</td> </tr> <tr> <td>EM - INCH THREADS & PORT OPTIONS</td> <td>HS - HIGH TEMPERATURE SEALS OPTION: AVAILABLE ON LE AND LH MODELS ONLY (SEE PAGE 62)</td> <td>PE - PORT ENLARGEMENT (AVAILABLE W/ "EM" OPTION ONLY = 1/4-18 NPT PORTS)</td> </tr> <tr> <td>RE - ROD EYE (SEE PAGE 61)</td> <td>RS - MALE STUD FOR ROD END (SEE PAGE 61)</td> <td>RF, RH, RN, RT, RV, RY - ROD EXTENSIONS (SEE PAGE 61)</td> </tr> </table>	SENSORS SOLD SEPERATELY SKS, SKP, SCS, SCP - SOLID STATE LIMIT SENSORS (SEE PAGE 54)			EM - INCH THREADS & PORT OPTIONS	HS - HIGH TEMPERATURE SEALS OPTION: AVAILABLE ON LE AND LH MODELS ONLY (SEE PAGE 62)	PE - PORT ENLARGEMENT (AVAILABLE W/ "EM" OPTION ONLY = 1/4-18 NPT PORTS)	RE - ROD EYE (SEE PAGE 61)	RS - MALE STUD FOR ROD END (SEE PAGE 61)	RF, RH, RN, RT, RV, RY - ROD EXTENSIONS (SEE PAGE 61)
MODEL	-	152	X	STROKE		TYPE		MOUNTING		MAGNETIC	-	OPTIONS																							
LS LE LH				10mm - 100mm STROKE (SEE STROKE RANGE)		BLANK - NO CODE, DOUBLE ACTING, SINGLE ROD D - DOUBLE ACTING, DOUBLE ROD		MT - THRU MOUNT MF - FRONT MOUNT MR - REAR MOUNT MB - BOTH END MOUNTS FF - FRONT FLANGE FR - REAR FLANGE (FOR FLANGES SEE PAGE 58)		M		<table border="1"> <tr> <td colspan="3">SENSORS SOLD SEPERATELY SKS, SKP, SCS, SCP - SOLID STATE LIMIT SENSORS (SEE PAGE 54)</td> </tr> <tr> <td>EM - INCH THREADS & PORT OPTIONS</td> <td>HS - HIGH TEMPERATURE SEALS OPTION: AVAILABLE ON LE AND LH MODELS ONLY (SEE PAGE 62)</td> <td>PE - PORT ENLARGEMENT (AVAILABLE W/ "EM" OPTION ONLY = 1/4-18 NPT PORTS)</td> </tr> <tr> <td>RE - ROD EYE (SEE PAGE 61)</td> <td>RS - MALE STUD FOR ROD END (SEE PAGE 61)</td> <td>RF, RH, RN, RT, RV, RY - ROD EXTENSIONS (SEE PAGE 61)</td> </tr> </table>	SENSORS SOLD SEPERATELY SKS, SKP, SCS, SCP - SOLID STATE LIMIT SENSORS (SEE PAGE 54)			EM - INCH THREADS & PORT OPTIONS	HS - HIGH TEMPERATURE SEALS OPTION: AVAILABLE ON LE AND LH MODELS ONLY (SEE PAGE 62)	PE - PORT ENLARGEMENT (AVAILABLE W/ "EM" OPTION ONLY = 1/4-18 NPT PORTS)	RE - ROD EYE (SEE PAGE 61)	RS - MALE STUD FOR ROD END (SEE PAGE 61)	RF, RH, RN, RT, RV, RY - ROD EXTENSIONS (SEE PAGE 61)														
SENSORS SOLD SEPERATELY SKS, SKP, SCS, SCP - SOLID STATE LIMIT SENSORS (SEE PAGE 54)																																			
EM - INCH THREADS & PORT OPTIONS	HS - HIGH TEMPERATURE SEALS OPTION: AVAILABLE ON LE AND LH MODELS ONLY (SEE PAGE 62)	PE - PORT ENLARGEMENT (AVAILABLE W/ "EM" OPTION ONLY = 1/4-18 NPT PORTS)																																	
RE - ROD EYE (SEE PAGE 61)	RS - MALE STUD FOR ROD END (SEE PAGE 61)	RF, RH, RN, RT, RV, RY - ROD EXTENSIONS (SEE PAGE 61)																																	