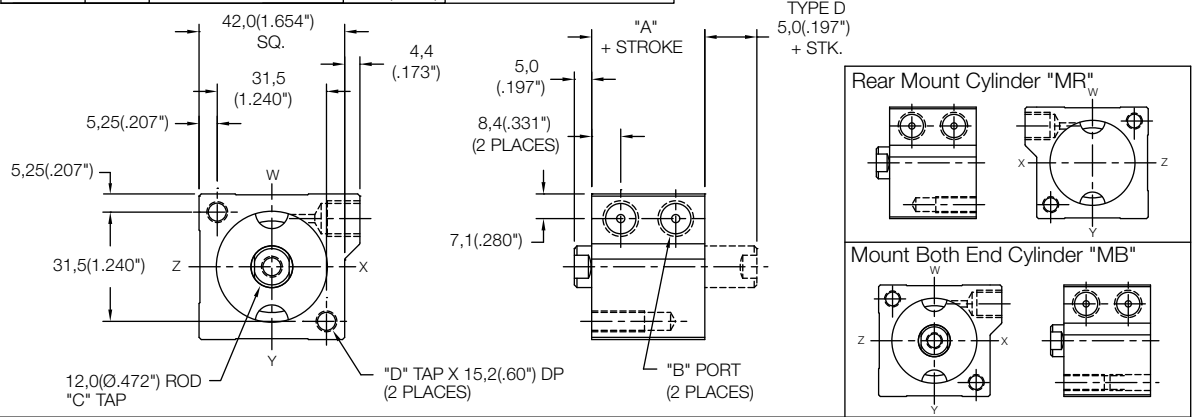


### Non Magnetic Front Mount Cylinder "MF"

MODEL	TYPE	STANDARD STROKES	"A"	PISTON AREA
LS	_,D	10mm - 100mm	22,5(0.89")	PUSH 8,04 cm <sup>2</sup> (1.25 in <sup>2</sup> )
LE	_	5mm - 100mm	27,5(1.08")	
LH	_,D	5mm - 100mm	32,5(1.28")	PULL 6,91 cm <sup>2</sup> (1.07 in <sup>2</sup> )
LS	S,R	5mm - 25mm	37,5(1.48")	

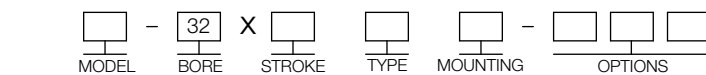
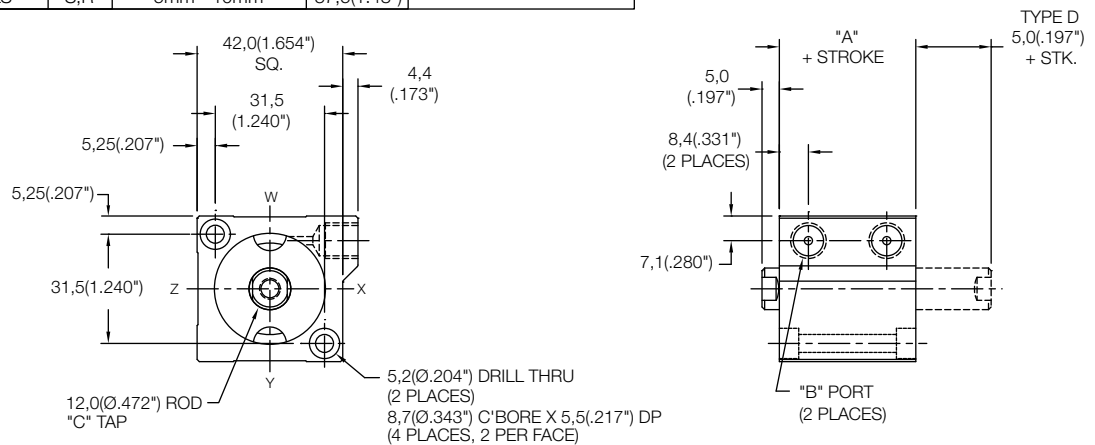
	Standard Threads	"EM" Option
"B"	G1/8 PORT	1/8-27
"C"	M6X1,0	1/4-20
"D"	M6X1,0	1/4-20



### Non Magnetic Thru Mount Cylinder "MT"

MODEL	TYPE	STANDARD STROKES	"A"	PISTON AREA
LS	_,D	10mm - 25mm	22,5(0.89")	PUSH 8,04 cm <sup>2</sup> (1.25 in <sup>2</sup> )
LE	_	5mm - 20mm	27,5(1.08")	
LH	_,D	5mm - 15mm	32,5(1.28")	PULL 6,91 cm <sup>2</sup> (1.07 in <sup>2</sup> )
LS	S,R	5mm - 10mm	37,5(1.48")	

	Standard Threads	"EM" Option
"B"	G1/8 PORT	1/8-27
"C"	M6X1,0	1/4-20

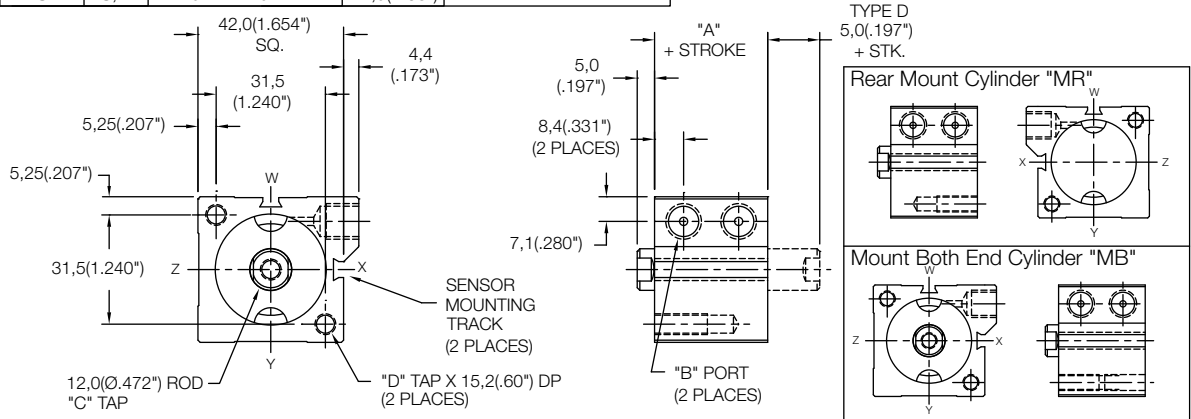


- MODEL: LS, LE, LH
- BORE: 32
- STROKE: 5mm - 100mm STROKE (SEE STROKE RANGE)
- TYPE: BLANK - NO CODE, DOUBLE ACTING, SINGLE ROD; D - DOUBLE ACTING, DOUBLE ROD; S - SINGLE ACTING, SPRING RETRACT; R - SINGLE ACTING, SPRING EXTEND
- MOUNTING: MT - THRU MOUNT; MF - FRONT MOUNT; MR - REAR MOUNT; MB - BOTH END MOUNTS; FF - FRONT FLANGE; FR - REAR FLANGE (FOR FLANGES SEE PAGE 58); PR - REAR PIVOT; PL - LONG PIVOT (FOR PIVOTS SEE PAGE 60)
- OPTIONS: EM - INCH THREADS & PORT OPTIONS; HS - HIGH TEMPERATURE SEALS OPTION: AVAILABLE ON LE AND LH MODELS ONLY (SEE PAGE 62); RE - ROD EYE (SEE PAGE 61); RS - MALE STUD FOR ROD END (SEE PAGE 61); RF, RH, RN, RT, RV, RY - ROD EXTENSIONS (SEE PAGE 61); SH - HYDRAULIC OPTION (35 BAR 500 PSI) (SEE PAGE 62); UB, UF, UR - URETHANE SHOCK PAD OPTION (SEE PAGE 62)

### Magnetic Front Mount Cylinder "MF"

MODEL	TYPE	STANDARD STROKES	"A"	PISTON AREA
LS	...D	10mm - 100mm	27,5(1.08")	PUSH 8,04 cm <sup>2</sup> (1.25 in <sup>2</sup> )
LE	-	5mm - 100mm	32,5(1.28")	
LH	...D	5mm - 100mm	37,5(1.48")	
LS	S,R	5mm - 25mm	42,5(1.68")	PULL 6,91 cm <sup>2</sup> (1.07 in <sup>2</sup> )

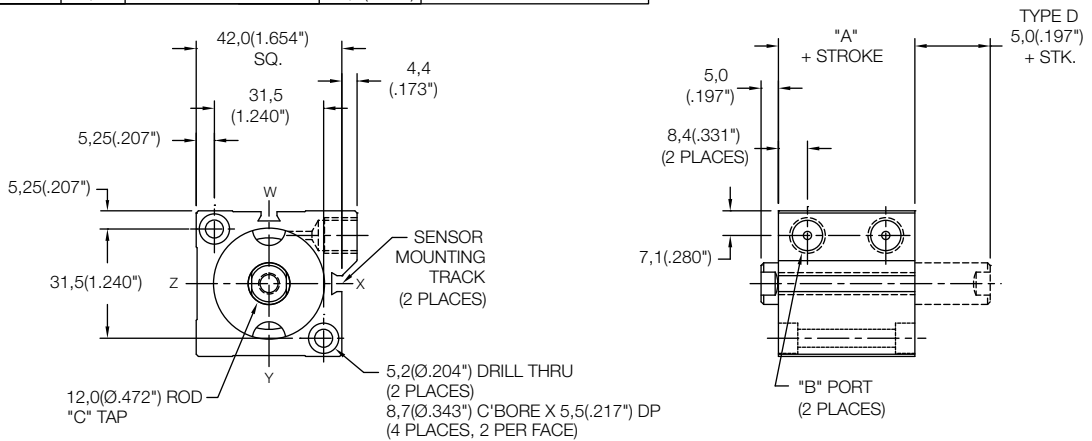
	Standard Threads	"EM" Option
"B"	G1/8 PORT	1/8-27
"C"	M6X1,0	1/4-20
"D"	M6X1,0	1/4-20



### Magnetic Thru Mount Cylinder "MT"

MODEL	TYPE	STANDARD STROKES	"A"	PISTON AREA
LS	...D	10mm - 20mm	27,5(1.08")	PUSH 8,04 cm <sup>2</sup> (1.25 in <sup>2</sup> )
LE	-	5mm - 15mm	32,5(1.28")	
LH	...D	5mm - 10mm	37,5(1.48")	
LS	S,R	5mm	42,5(1.68")	PULL 6,91 cm <sup>2</sup> (1.07 in <sup>2</sup> )

	Standard Threads	"EM" Option
"B"	G1/8 PORT	1/8-27
"C"	M6X1,0	1/4-20



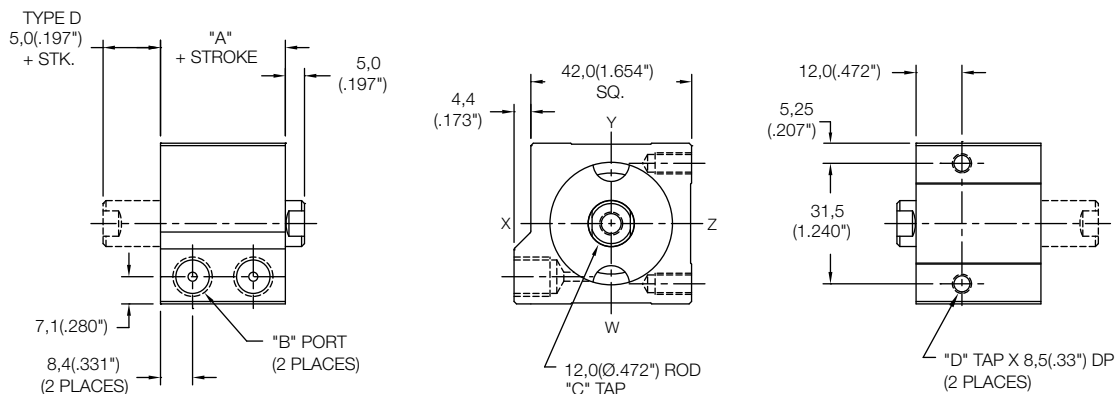
<table border="1" style="width: 100px; height: 20px; margin: 0 auto;"> <tr><td style="text-align: center;">32</td></tr> </table>	32	X	<table border="1" style="width: 100px; height: 20px; margin: 0 auto;"> <tr><td style="text-align: center;">M</td></tr> </table>	M	-	<table border="1" style="width: 100px; height: 20px; margin: 0 auto;"> <tr><td style="text-align: center;"> </td></tr> </table>		-	<table border="1" style="width: 100px; height: 20px; margin: 0 auto;"> <tr><td style="text-align: center;"> </td></tr> </table>		-	<table border="1" style="width: 100px; height: 20px; margin: 0 auto;"> <tr><td style="text-align: center;"> </td></tr> </table>	
32													
M													
MODEL	BORE	STROKE	TYPE	MOUNTING	MAGNETIC	OPTIONS							
LS LE LH		5mm - 100mm STROKE (SEE STROKE RANGE)	BLANK - NO CODE, DOUBLE ACTING, SINGLE ROD D - DOUBLE ACTING, DOUBLE ROD S - SINGLE ACTING, SPRING RETRACT R - SINGLE ACTING, SPRING EXTEND	MT - THRU MOUNT MF - FRONT MOUNT MR - REAR MOUNT MB - BOTH END MOUNTS FF - FRONT FLANGE FR - REAR FLANGE (FOR FLANGES SEE PAGE 58) PR - REAR PIVOT PL - LONG PIVOT (FOR PIVOTS SEE PAGE 60)		SENSORS SOLD SEPARATELY SKS, SKP, SCS, SCP - SOLID STATE LIMIT SENSORS (SEE PAGE 54)							
						EM - INCH THREADS & PORT OPTIONS							
						HS - HIGH TEMPERATURE SEALS OPTION: AVAILABLE ON LE AND LH MODELS ONLY (SEE PAGE 62)							
						RE - ROD EYE (SEE PAGE 61)							
						RS - MALE STUD FOR ROD END (SEE PAGE 61)							
						RF, RH, RN, RT, RV, RY - ROD EXTENSIONS (SEE PAGE 61)							
						SH - HYDRAULIC OPTION (35 BAR 500 PSI) (SEE PAGE 62)							
						UB, UF, UR - URETHANE SHOCK PAD OPTION (SEE PAGE 62)							



### Non Magnetic Side Mount Cylinder "MS"

MODEL	TYPE	STANDARD STROKES	"A"	PISTON AREA
LS	_,D	10mm - 20mm	22,5(0.89")	PUSH 8,04 cm <sup>2</sup> (1.25 in <sup>2</sup> )
LE	_	5mm - 15mm	27,5(1.08")	
LH	_,D	5mm - 10mm	32,5(1.28")	PULL 6,91 cm <sup>2</sup> (1.07 in <sup>2</sup> )
LS	S,R	5mm	37,5(1.48")	

	Standard Threads	"EM" Option
"B"	G1/8 PORT	1/8-27
"C"	M6X1,0	1/4-20
"D"	M5X0,8	#10-32



### Non Magnetic Side Mount Cylinder "MS"

MODEL	TYPE	STANDARD STROKES	"A"	PISTON AREA
LS	_,D	25mm - 100mm	22,5(0.89")	PUSH 8,04 cm <sup>2</sup> (1.25 in <sup>2</sup> )
LE	_	20mm - 100mm	27,5(1.08")	
LH	_,D	15mm - 100mm	32,5(1.28")	PULL 6,91 cm <sup>2</sup> (1.07 in <sup>2</sup> )
LS	S,R	10mm - 25mm	37,5(1.48")	

	Standard Threads	"EM" Option
"B"	G1/8 PORT	1/8-27
"C"	M6X1,0	1/4-20
"D"	M5X0,8	#10-32

