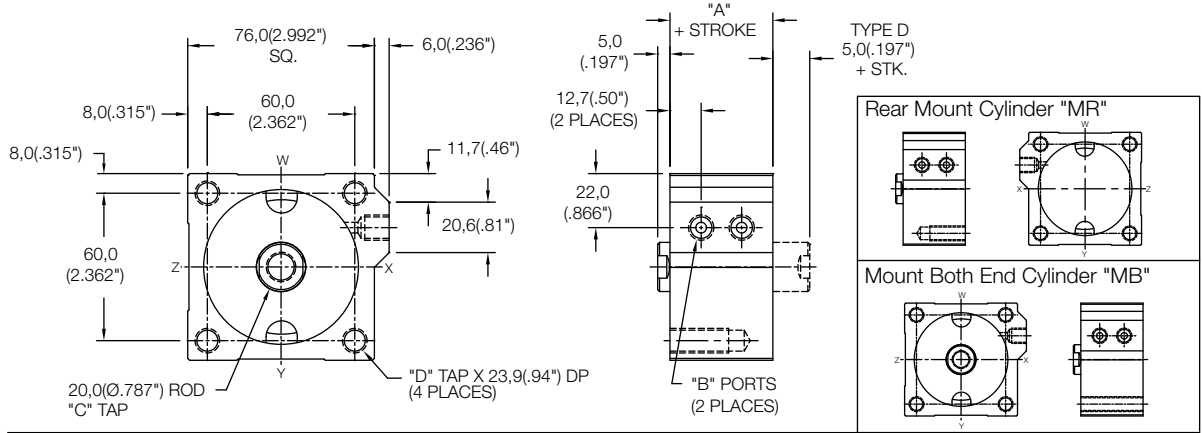


Non Magnetic Front Mount Cylinder "MF"

MODEL	TYPE	STANDARD STROKES	"A"	PISTON AREA
LS	_D	10mm - 100mm	32,0(1.26")	PUSH 31,17 cm ² (4.83 in ²)
LE	-	5mm - 100mm	42,0(1.66")	
LH	_D	5mm - 100mm	52,0(2.05")	PULL 28,03 cm ² (4.34 in ²)

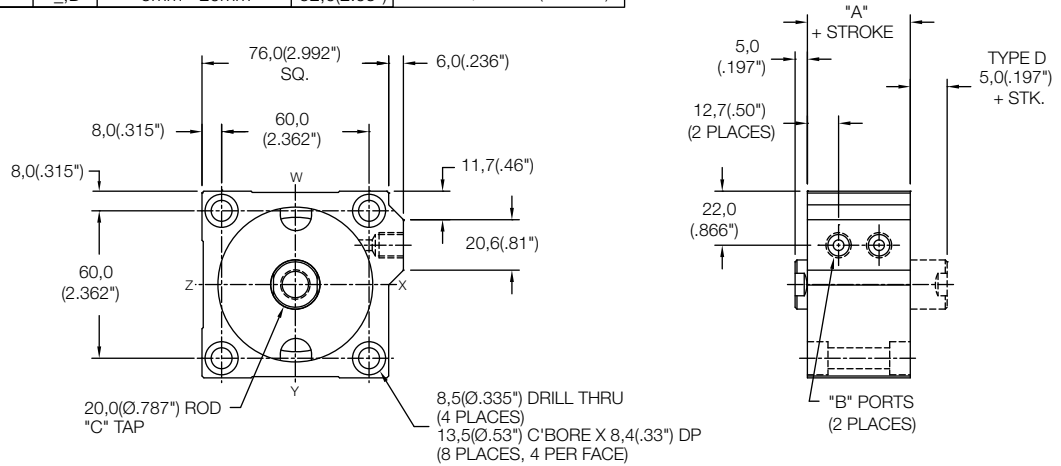
	Standard Threads	"EM" Option
"B"	G1/8 PORT	1/8-27
"C"	M12X1,75	1/2-13
"D"	M10X1,5	3/8-24



Non Magnetic Thru Mount Cylinder "MT"

MODEL	TYPE	STANDARD STROKES	"A"	PISTON AREA
LS	_D	10mm - 40mm	32,0(1.26")	PUSH 31,17 cm ² (4.83 in ²)
LE	-	5mm - 30mm	42,0(1.66")	
LH	_D	5mm - 20mm	52,0(2.05")	PULL 28,03 cm ² (4.34 in ²)

	Standard Threads	"EM" Option
"B"	G1/8 PORT	1/8-27
"C"	M12X1,75	1/2-13



 - 63 X -

MODEL BORE STROKE TYPE MOUNTING OPTIONS

LS
LE
LH

5mm - 100mm STROKE
(SEE STROKE RANGE)

BLANK - NO CODE, DOUBLE ACTING, SINGLE ROD
 D - DOUBLE ACTING, DOUBLE ROD

MT - THRU MOUNT
 MF - FRONT MOUNT
 MR - REAR MOUNT
 MB - BOTH END MOUNTS
 FF - FRONT FLANGE
 FR - REAR FLANGE
 (FOR FLANGES SEE PAGE 58)

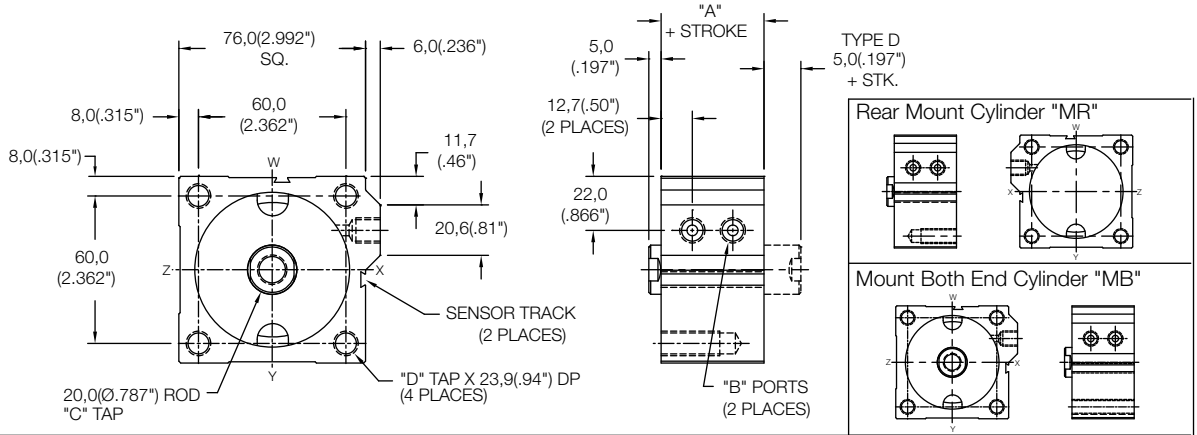
PR - REAR PIVOT
 PL - LONG PIVOT
 (FOR PIVOTS SEE PAGE 60)

EM - INCH THREADS & PORT OPTIONS
 HS - HIGH TEMPERATURE SEALS OPTION:
 AVAILABLE ON LE AND LH MODELS ONLY
 (SEE PAGE 62)
 PE - PORT ENLARGEMENT (AVAILABLE W/
 "EM" OPTION ONLY = 1/4-18 NPT PORTS)
 RE - ROD EYE
 (SEE PAGE 61)
 RS - MALE STUD FOR ROD END
 (SEE PAGE 61)
 RF, RH, RN, RT, RV, RY - ROD EXTENSIONS
 (SEE PAGE 61)
 SH - HYDRAULIC OPTION (35 BAR 500 PSI)
 (SEE PAGE 62)
 UB, UF, UR - URETHANE SHOCK PAD OPTION
 (SEE PAGE 62)

Magnetic Front Mount Cylinder "MF"

MODEL	TYPE	STANDARD STROKES	"A"	PISTON AREA
LS	...D	10mm - 100mm	37,0(1.46")	PUSH 31,17 cm ² (4.83 in ²)
LE	-	5mm - 100mm	47,0(1.85")	
LH	...D	5mm - 100mm	57,0(2.25")	PULL 28,03 cm ² (4.34 in ²)

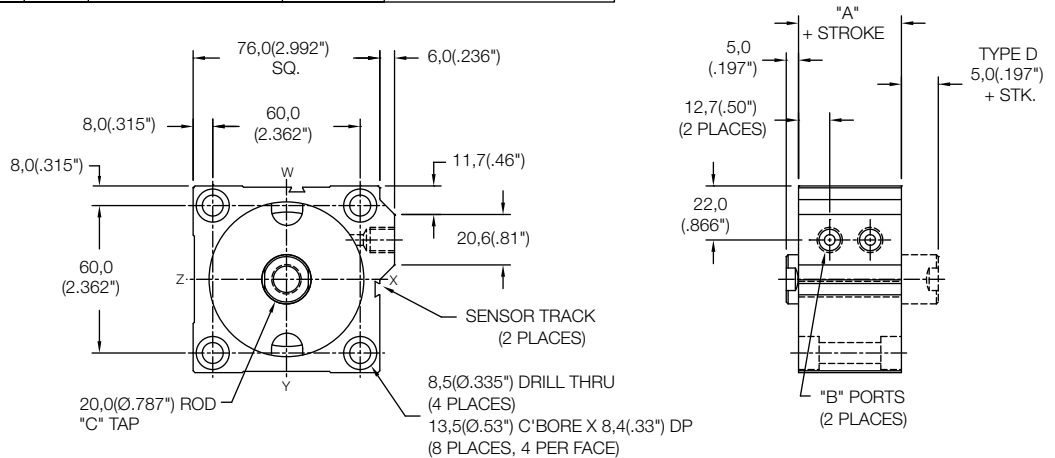
	Standard Threads	"EM" Option
"B"	G1/8 PORT	1/8-27
"C"	M12X1,75	1/2-13
"D"	M10X1,5	3/8-24



Magnetic Thru Mount Cylinder "MT"

MODEL	TYPE	STANDARD STROKES	"A"	PISTON AREA
LS	...D	10mm - 35mm	37,0(1.46")	PUSH 31,17 cm ² (4.83 in ²)
LE	-	5mm - 25mm	47,0(1.85")	
LH	...D	5mm - 15mm	57,0(2.25")	PULL 28,03 cm ² (4.34 in ²)

	Standard Threads	"EM" Option
"B"	G1/8 PORT	1/8-27
"C"	M12X1,75	1/2-13

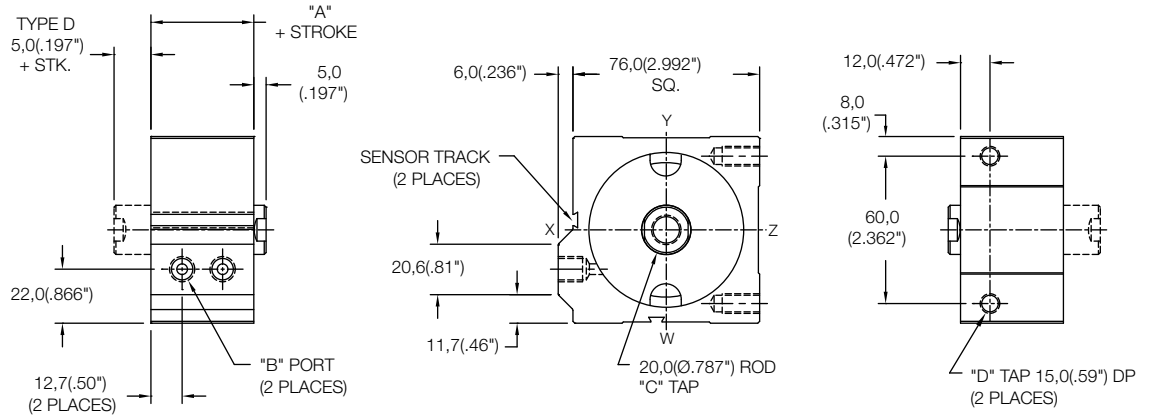


<p>MODEL - 63 X STROKE TYPE MOUNTING MAGNETIC M - OPTIONS</p> <p>LS LE LH</p> <p>5mm - 100mm STROKE (SEE STROKE RANGE)</p> <p>BLANK - NO CODE, DOUBLE ACTING, SINGLE ROD D - DOUBLE ACTING, DOUBLE ROD</p> <p>MT - THRU MOUNT MF - FRONT MOUNT MR - REAR MOUNT MB - BOTH END MOUNTS FF - FRONT FLANGE FR - REAR FLANGE (FOR FLANGES SEE PAGE 58) PR - REAR PIVOT PL - LONG PIVOT (FOR PIVOTS SEE PAGE 60)</p>	<p>SENSORS SOLD SEPARATELY SKS, SKP, SCS, SCP - SOLID STATE LIMIT SENSORS (SEE PAGE 54)</p> <p>EM - INCH THREADS & PORT OPTIONS</p> <p>HS - HIGH TEMPERATURE SEALS OPTION: AVAILABLE ON LE AND LH MODELS ONLY (SEE PAGE 62)</p> <p>PE - PORT ENLARGEMENT (AVAILABLE W/ "EM" OPTION ONLY = 1/4-18 NPT PORTS)</p> <p>RE - ROD EYE (SEE PAGE 61)</p> <p>RS - MALE STUD FOR ROD END (SEE PAGE 61)</p> <p>RF, RH, RN, RT, RV, RY - ROD EXTENSIONS (SEE PAGE 61)</p> <p>SH - HYDRAULIC OPTION (35 BAR 500 PSI) (SEE PAGE 62)</p> <p>UB, UF, UR - URETHANE SHOCK PAD OPTION (SEE PAGE 62)</p>
---	--

Magnetic Side Mount Cylinder "MS"

MODEL	TYPE	STANDARD STROKES	"A"	PISTON AREA
LS	_D	10mm - 15mm	37,0(1.46")	PUSH 31,17 cm ² (4.83 in ²)
LE	-	5mm	47,0(1.85")	PULL 28,03 cm ² (4.34 in ²)

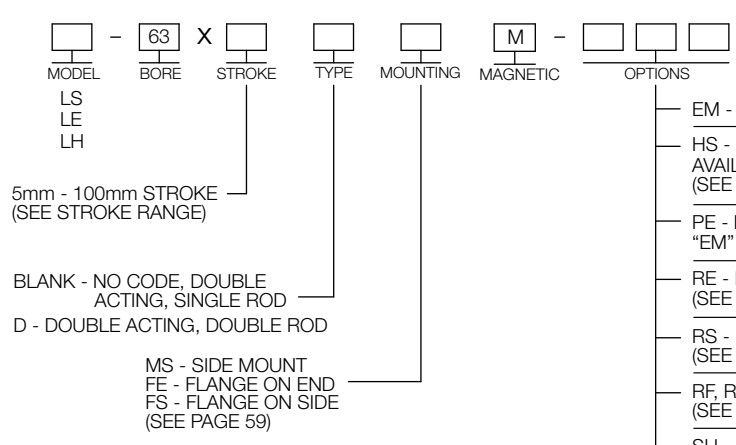
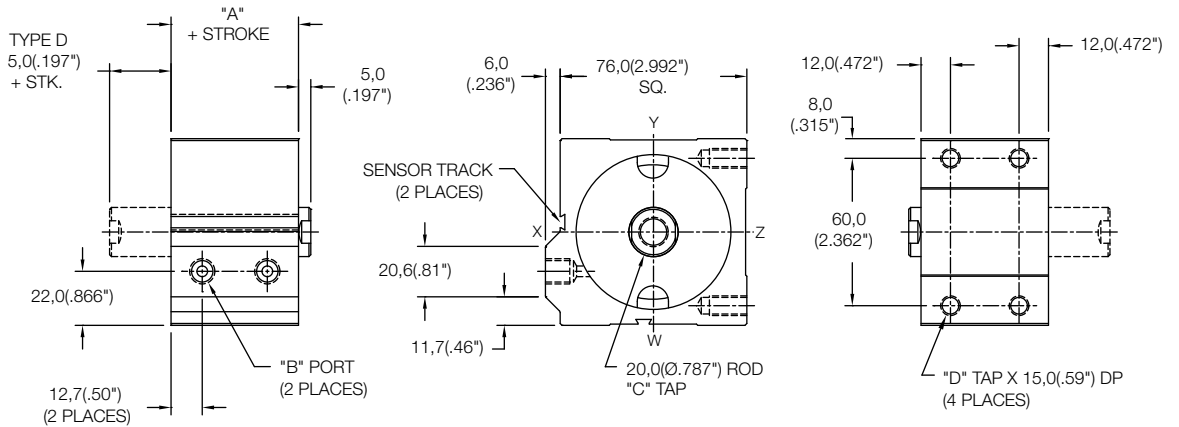
	Standard Threads	"EM" Option
"B"	G1/8 PORT	1/8-27
"C"	M12X1,75	1/2-13
"D"	M8X1,25	5/16-18



Magnetic Side Mount Cylinder "MS"

MODEL	TYPE	STANDARD STROKES	"A"	PISTON AREA
LS	_D	20mm - 100mm	37,0(1.46")	PUSH 31,17 cm ² (4.83 in ²)
LE	-	10mm - 100mm	47,0(1.85")	PULL 28,03 cm ² (4.34 in ²)
LH	_D	5mm - 100mm	57,0(2.25")	PULL 28,03 cm ² (4.34 in ²)

	Standard Threads	"EM" Option
"B"	G1/8 PORT	1/8-27
"C"	M12X1,75	1/2-13
"D"	M8X1,25	5/16-18



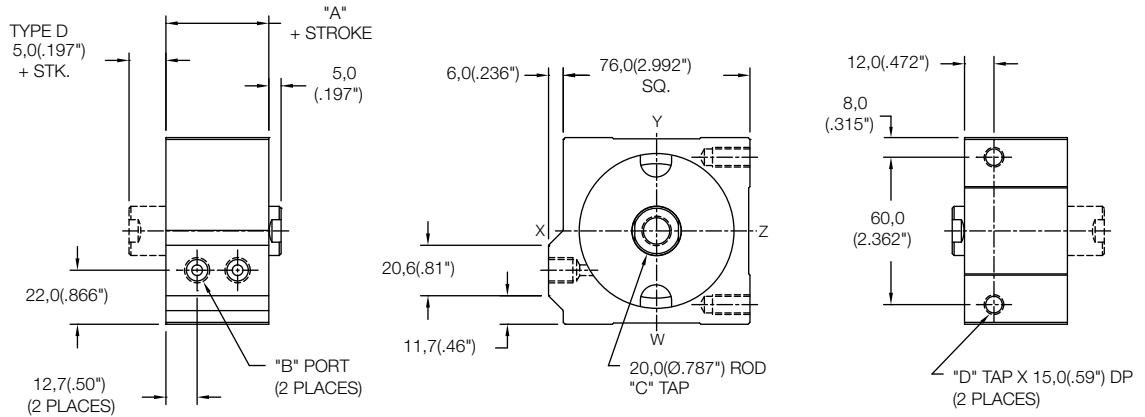
SENSORS SOLD SEPARATELY
SKS, SKP, SCS, SCP - SOLID STATE
LIMIT SENSORS (SEE PAGE 54)

- EM - INCH THREADS & PORT OPTIONS
- HS - HIGH TEMPERATURE SEALS OPTION: AVAILABLE ON LE AND LH MODELS ONLY (SEE PAGE 62)
- PE - PORT ENLARGEMENT (AVAILABLE W/ "EM" OPTION ONLY = 1/4-18 NPT PORTS)
- RE - ROD EYE (SEE PAGE 61)
- RS - MALE STUD FOR ROD END (SEE PAGE 61)
- RF, RH, RN, RT, RV, RY - ROD EXTENSIONS (SEE PAGE 61)
- SH - HYDRAULIC OPTION (35 BAR 500 PSI) (SEE PAGE 62)
- UB, UF, UR - URETHANE SHOCK PAD OPTION (SEE PAGE 62)

Non Magnetic Side Mount Cylinder "MS"

MODEL	TYPE	STANDARD STROKES	"A"	PISTON AREA
LS	_,D	10mm - 20mm	32,0(1.26")	PUSH 31,17 cm ² (4.83 in ²)
LE	-	5mm - 10mm	42,0(1.66")	PULL 28,03 cm ² (4.34 in ²)

	Standard Threads	"EM" Option
"B"	G1/8 PORT	1/8-27
"C"	M12X1,75	1/2-13
"D"	M8X1,25	5/16-18



Non Magnetic Side Mount Cylinder "MS"

MODEL	TYPE	STANDARD STROKES	"A"	PISTON AREA
LS	_,D	25mm - 100mm	32,0(1.26")	PUSH 31,17 cm ² (4.83 in ²)
LE	-	15mm - 100mm	42,0(1.66")	PUSH 31,17 cm ² (4.83 in ²)
LH	_,D	5mm - 100mm	52,0(2.05")	PULL 28,03 cm ² (4.34 in ²)

	Standard Threads	"EM" Option
"B"	G1/8 PORT	1/8-27
"C"	M12X1,75	1/2-13
"D"	M8X1,25	5/16-18

