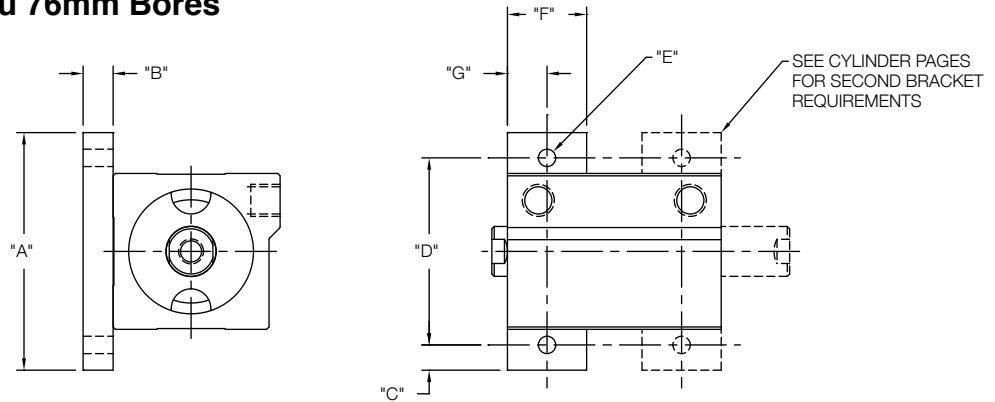


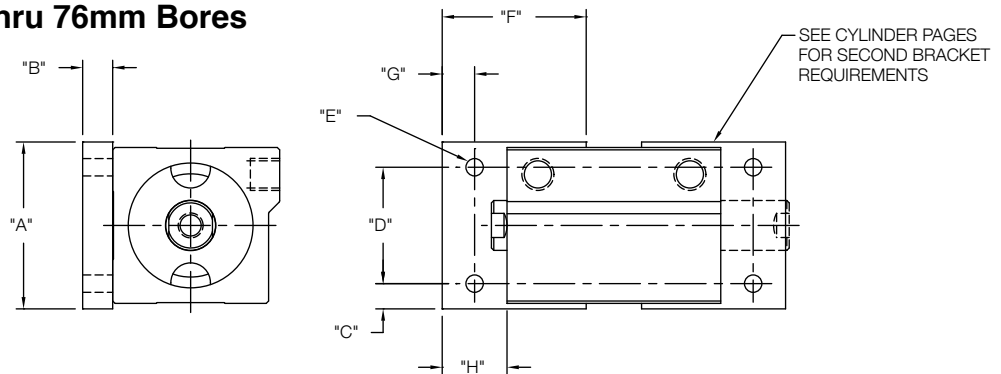
**Side Flange Mounting - "FS"**  
**12mm Thru 76mm Bores**



**Material: Anodized Aluminum**

Bore	"A"	"B"	"C"	"D"	"E"	"F"	"G"
12	44,5 (1.75")	6,35 (.25")	4,8 (.19")	35 (1.38")	4,5 (.18")	16 (.63")	7,9 (.31")
20	50,8 (2.0")	9,5 (.38")	5,4 (.21")	40 (1.58")		19 (.75")	9,5 (.38")
25			3,9 (.15")	43 (1.69")			
28,5	63,5 (2.5")	4,8 (.19")	6,35 (.25")	50,8 (2.0")	5,5 (.22")	25,4 (1.00")	12,7 (.50")
32			9,5 (.38")	5,75 (.23")	52 (2.05")		
40	8,1 (.32")	60 (2.36")					
50	93 (3.66")	12,7 (.50")	7,5 (.30")	78 (3.07")	8,5 (.33")		
63	120 (4.72")	19 (.75")	9,0 (.35")	102 (4.02")	10,5 (.41")		
76	133 (5.24")			115 (4.53")			

**End Flange Mounting - "FE"**  
**12mm Thru 76mm Bores**



**Material: Anodized Aluminum**

Bore	"A"	"B"	"C"	"D"	"E"	"F"	"G"	"H"
12	25,4 (1.00")	6,35 (.25")	4,2 (.17")	17,0 (.67")	4,5 (.18")	24,0 (.95")	4,0 (.16")	8,0 (.32")
20	31,8 (1.25")	9,5 (.38")	4,4 (.17")	23,0 (.91")		27,0 (1.06")		
25	38,1 (1.50")		4,05 (.16")	30,0 (1.18")				
28,5	38,1 (1.50")	4,8 (.19")	4,8 (.19")	28,6 (1.13")	5,6 (.22")	28,6 (1.13")	4,8 (.19")	9,7 (.38")
32	44,5 (1.75")	9,5 (.38")	5,0 (.20")	34,5 (1.36")	5,5 (.22")	35,4 (1.39")	5,0 (.20")	10,0 (.39")
40	50,8 (2.00")		4,9 (.19")	41,0 (1.61")				
50	63,5 (2.50")	12,7 (.50")	8,0 (.32")	47,5 (1.87")	8,5 (.33")	41,4 (1.63")	8,0 (.32")	16,0 (.63")
63	76,2 (3.00")	19 (.75")	10,1 (.40")	56,0 (2.20")	10,5 (.41")	45,4 (1.79")	10,0 (.39")	20,0 (.79")
76	88,9 (3.50")		9,95 (.39")	69,0 (2.72")				